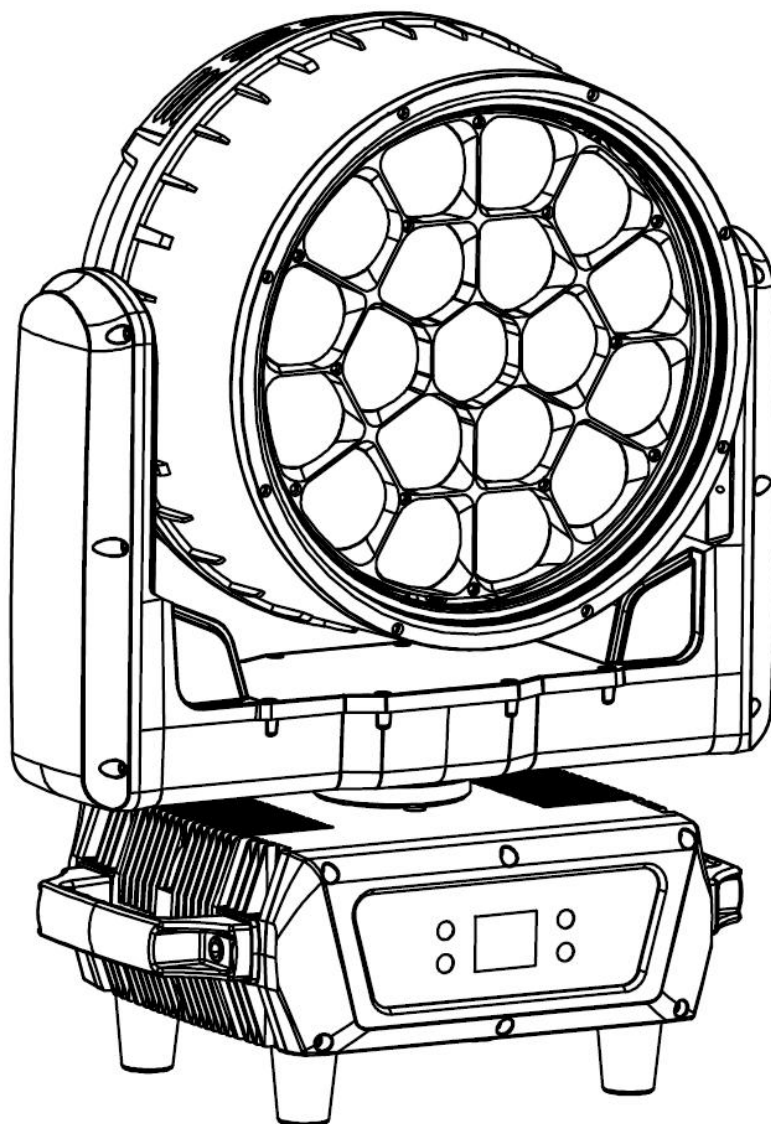


LED moving head

ZOOM and Rotation

19pcs 40W 4-in-1



CE F \perp IP65 LED $\left(\text{---} 0.2\text{m} \right) \left(\text{---} \right)$ $t_a 40^\circ\text{C}$ $t_c 150^\circ\text{C}$

User Manual

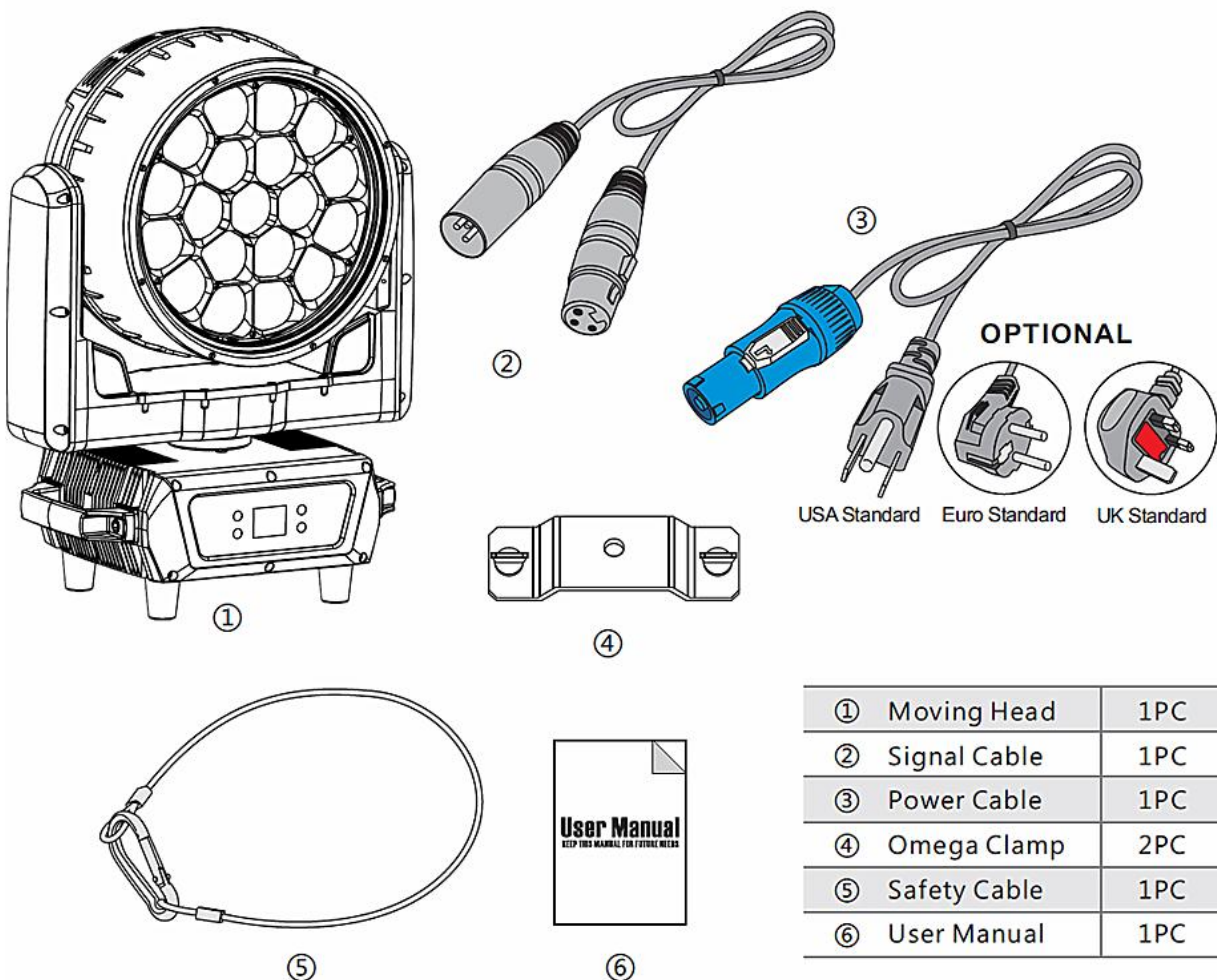
KEEP THIS MANUAL FOR FUTURE NEEDS

1. Unpacking

Thank you for choosing our fixture. For your own safety, please read this manual before installing the device. This manual covers the important information on installation and applications. Please install and operate the fixture with following instructions. Meanwhile, please keep this manual well for future needs.

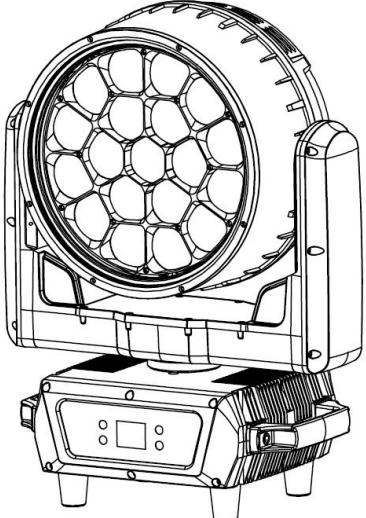
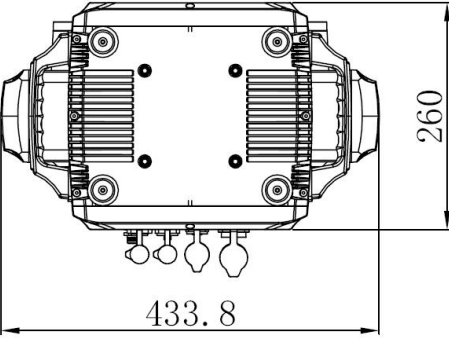
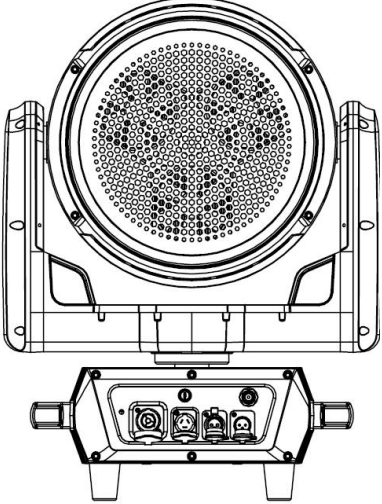
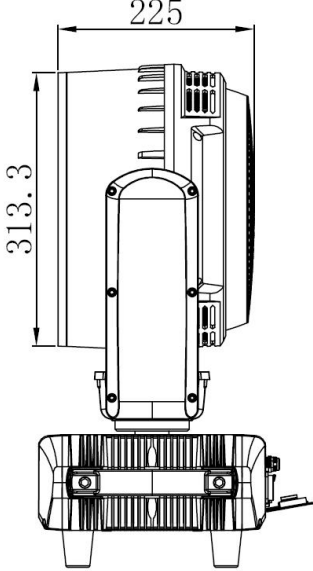
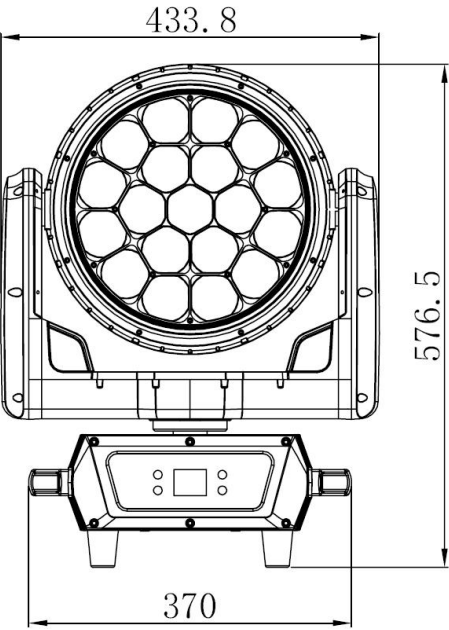
This fixture is made of a new type of high temperature strength of engineering plastics and cast aluminum casing with nice outlook. The fixture is designed and manufactured strictly following CE standards, complying with international standard DMX512 protocol. It's available independently controlled and linkable with each other for operation. And it is applicable for large-scale live performances, theater, studio, nightclubs and discos.

4-IN-1 LEDs(RGBW) which features high brightness and stability. Please carefully unpack it when you receive the fixture and check whether it is damaged during the transportation. And please check whether the following items are included inside the box:



①	Moving Head	1PC
②	Signal Cable	1PC
③	Power Cable	1PC
④	Omega Clamp	2PC
⑤	Safety Cable	1PC
⑥	User Manual	1PC

2. Product dimension (mm)



3. Safety Instructions



CAUTION!

Be careful with your operations. With a dangerous voltage you can suffer a dangerous electric shock when touching wires!

This device has left the factory in perfect condition. In order to maintain this condition and to ensure a safe operation, it is absolutely necessary for the user to follow the safety instructions and warning notes written in this user manual.



Important:

Damages caused by the disregard of this user manual are not subject to warranty. The dealer will not accept liability for any resulting defects or problems.

If the device has been exposed to temperature changes due to environmental changes, do not switch it on immediately. The arising condensation could damage the device. Leave the device switched off until it has reached room temperature.

This device falls under protection-class I. Therefore it is essential that the device be earthed.

The electric connection must carry out by qualified person.

The device shall only be used with rate voltage and frequency.

Make sure that the available voltage is not higher than stated at the end of this manual.

Make sure the power cord is never crimped or damaged by sharp edges. If this would be the case, replacement of the cable must be done by an authorized dealer.

Always disconnect from the mains, when the device is not in use or before cleaning it. Only handle the power cord by the plug. Never pull out the plug by tugging the power cord.

During initial start-up some smoke or smell may arise. This is a normal process and does not necessarily mean that the device is defective, it should decrease gradually.

Please don't project the beam onto combustible substances.

Fixtures cannot be installed on combustible substances, keep more than 50cm distance with wall for smooth air flow, so there should be no shelter for fans and ventilation for heat radiation.

If the external flexible cable or cord of this luminaire is damaged, it shall be exclusively replaced by the manufacturer or his service agent or a similar qualified person in order to avoid a hazard.

4. Operation Instructions

- The fixture is for beam wash and effect use.
- Don't turn on the fixture if it's been through severe temperature difference like after transportation because it might damage the light due to the environment changes. So make sure to operate the fixture until it is in normal temperature.
- This light should be keep away from strong shaking during any transportation or movement.
- Don't pull up the light by only the head, or it might cause damages to the mechanical parts.
- Don't expose the fixture in overheat, moisture or environment with too much dust when installing it. And don't lay any power cables on the floor. Or it might cause electronic shock to the people.
- Make sure the installation place is in good safety condition before installing the fixture.
- Make sure to put the safety chain and check whether the screws are screwed properly when installing the fixture.
- Make sure the lens are in good condition. It's recommended to replace the units if there are any damages or severe scratch.
- Make sure the fixture is operated by qualified personnel who knows the fixture before using.
- Keep the original packages if any second shipment is needed.
- Don't try to change the fixtures without any instruction by the manufacturer or the appointed repairing agencies.
- It is not in warranty range if there are any malfunctions from not following the user manual to operate or any illegal operation, like shock short circuit, electronic shock, lamp broke, etc.

5. Mounting and Installation

Cautions: For added protection mount the fixtures in areas outside walking paths, seating areas, or in areas were the fixture might be reached by unauthorized personnel.

Before mounting the fixture to any surface, make sure that the installation area can hold a minimum point load of 10 times the device's weight.

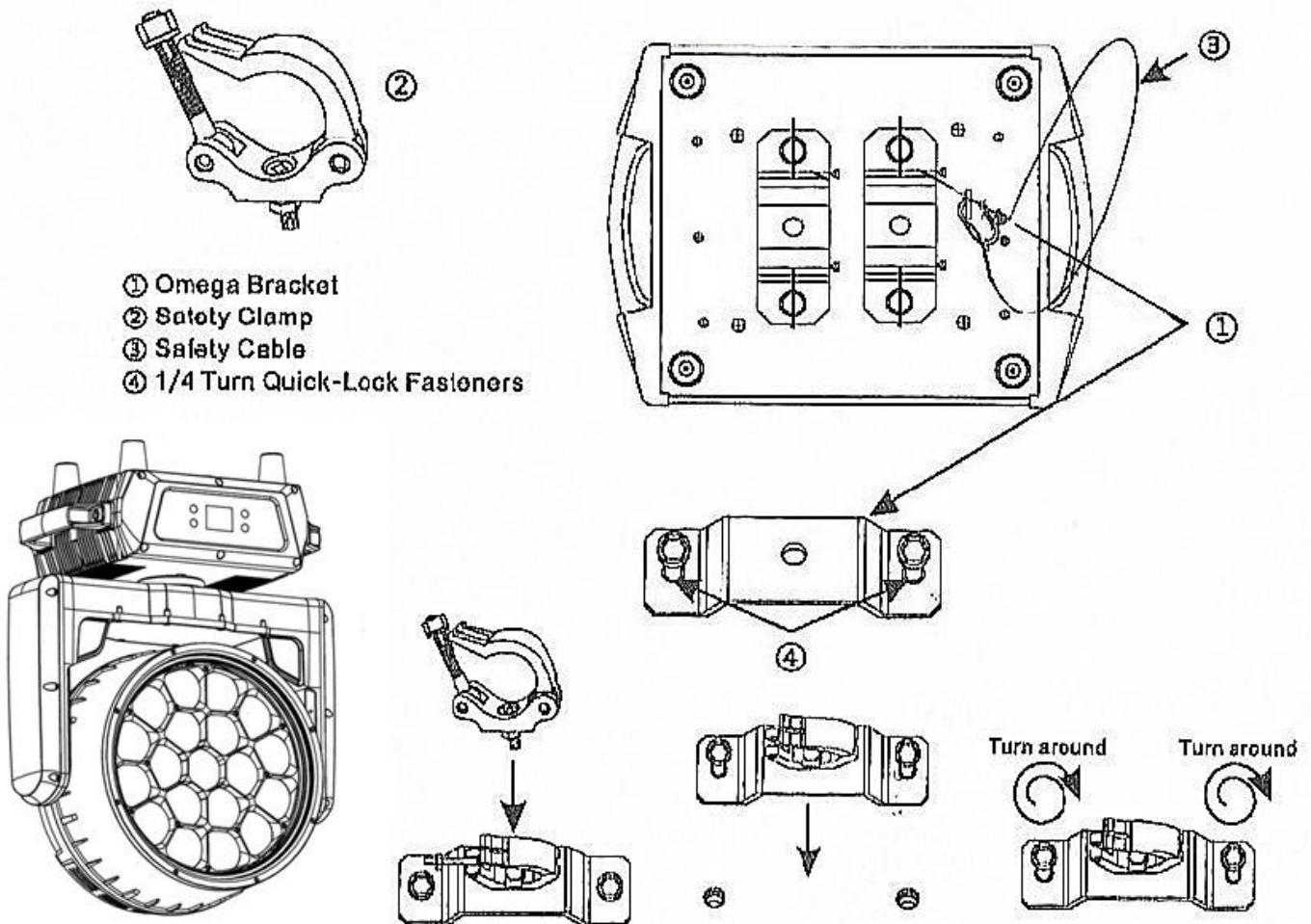
Fixture installation must always be secured with a secondary safety attachment, such as an appropriate safety cable.

Never stand directly below the device when mounting, removing, or servicing the fixture from a

periodic safety inspection of all installation material and the fixture. If you lack these qualifications, do not attempt the installation yourself. Improper installation can result in bodily injury.

Be sure to complete all rigging and installation procedures before connecting the main power cord to the appropriate wall outlet.

Clamp Mounting: The product provides a unique mounting bracket assembly that integrates the bottom of the base, the included “Omega Bracket,” and the safety cable rigging point in one unit (see the illustration below). When mounting this fixture to truss be sure to secure an appropriately rated clamp to the included omega bracket using a M10 screw fitted through the center hole of the “omega bracket”. As an added safety measure be sure to attached at least one properly rated safety cable to the fixture using on of the safety cable rigging point integrated in the base assembly



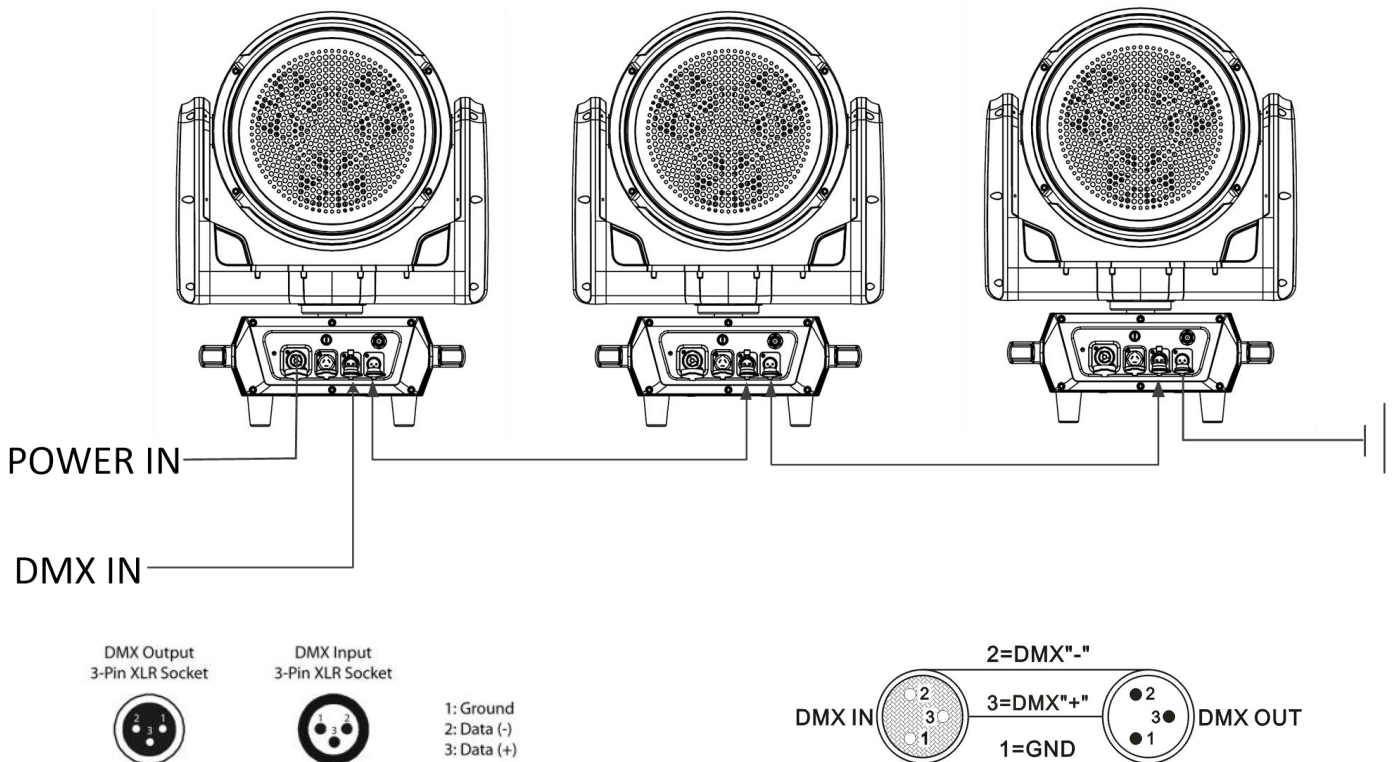
Regardless of the rigging option you choose for our fixture, always be sure to secure your fixture with a safety cable. The fixture provides a built-in rigging point for a safety cable on the hanging bracket as illustrated above. Be sure to only use the designated rigging point for the safety cable and never secure a safety cable to a carrying handle.

6. DMX-512 control connections

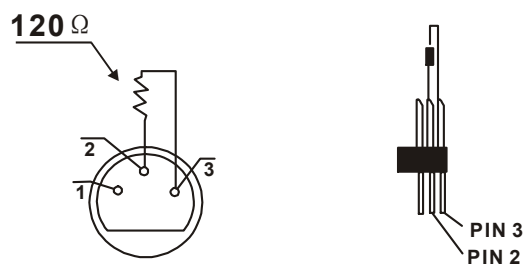
Connect the provided XLR cable to the female 3-pin XLR output of your controller and the other side to the male 3-pin XLR input of the moving head. You can chain multiple

Moving heads be connected together through serial linking. The cable needed should be two core, screened cable with XLR input and output connectors. Please refer to the diagram below.

DMX-512 connection with DMX terminator



For installations where the DMX cable has to run a long distance or is in an electrically noisy environment, such as in a discotheque, it is recommended to use a DMX terminator. This helps in preventing corruption of the digital control signal by electrical noise. The DMX terminator is simply an XLR plug with a 120 Ω resistor connected between pins 2 and 3, which is then plugged into the output XLR socket of the last fixture in the chain. Please see illustrations below.



7. DMX Channels

22 channels mode

CH	Function	DMX	Details
1	Pan	0-255	Pan movement control
2	Pan fine	0-255	Pan fine control
3	Tilt	0-255	Tilt movement control
4	Tilt fine	0-255	Pan fine control
5	Pan/Tilt speed	0-255	Speed from fast to slow
6	ZOOM	0-255	Zoom
7	LENS rotation	0-127	0 to 60 degree
		128-189	Unlimited anticlockwise rotation from fast to slow
		190-191	Stop
		192-255	Unlimited clockwise rotation from slow to fast
8	Dimmer	0-255	0-100 linear dimmer from dark to bright
9	Strobe	0-3	No function, Light on
		4-200	Strobe with the same step from slow to fast
		201-255	Random strobe from slow to fast
10	R	0-255	1-100% Red linear dimmer from dark to bright
11	G	0-255	1-100% Green linear dimmer from dark to bright
12	B	0-255	1-100% Blue linear dimmer from dark to bright
13	W	0-255	1-100% White linear dimmer from dark to bright
14	Color	0-255	Linear color temperature control
15	Marco	0-255	Marco color change
16	Static effect	0-9	No function
		10-184	Each 5 DMX value is a kind of static effect(35 kinds)
		185-194	36 th kind of static effect
		195-255	37 th kind of static effect
17	Dynamic effect	0-4	No function
		5-16	1th kind of dynamic effect
		17-255	Each 3 DMX value is a kind of dynamic effect(80 kinds)
18	Dynamic effect speed	0-127	Clockwise rotate from fast to slow, operate against 17 CH
		128-255	Anti-Clockwise rotate from slow to fast, operate against 17 CH
19	LED ring strobe	0-3	No function, Light on
		4-250	LED ring strobe from slow to fast
		251-255	No function, Light on
20	LED ring macro	0-1	No function
		2-51	Every 2 DMX is one kind of static color
		52-54	1th Dynamic effect
		55-250	Every 4 DMX channel is a dynamic effect(2th-50th kinds)
		251-255	51th kind of dynamic effect
21	LED ring speed	0-255	LED ring macro effect from slow to fast

26 channels mode

CH	Function	DMX	Details
1	Pan	0-255	Pan movement control
2	Pan fine	0-255	Pan fine control
3	Tilt	0-255	Tilt movement control
4	Tilt fine	0-255	Pan fine control
5	Pan/Tilt speed	0-255	Speed from fast to slow
6	ZOOM	0-255	Zoom
7	LENS rotation	0-127	0 to 60 degree
		128-189	Unlimited anticlockwise rotation from fast to slow
		190-191	Stop
		192-255	Unlimited clockwise rotation from slow to fast
8	Dimmer	0-255	0-100 linear dimmer from dark to bright
9	Strobe	0-3	No function, Light on
		4-200	Strobe with the same step from slow to fast
		201-255	Random strobe from slow to fast
10	R	0-255	1-100% Red linear dimmer from dark to bright
11	G	0-255	1-100% Green linear dimmer from dark to bright
12	B	0-255	1-100% Blue linear dimmer from dark to bright
13	W	0-255	1-100% White linear dimmer from dark to bright
14	Color	0-255	Linear color temperature control
15	Marco	0-255	Marco color change
16	Static effect	0-9	No function
		10-184	Each 5 DMX value is a kind of static effect(35 kinds)
		185-194	36 th kind of static effect
		195-255	37 th kind of static effect
17	Dynamic effect	0-4	No function
		5-16	1th kind of dynamic effect
		17-255	Each 3 DMX value is a kind of dynamic effect(80 kinds)
18	Dynamic effect speed	0-127	Clockwise rotate from fast to slow, operate against 17 CH
		128-255	Anti-Clockwise rotate from slow to fast, operate against 17 CH
19	Backgroup R	0-255	Backgroup in Red color
20	Backgroup G	0-255	Backgroup in Green color
21	Backgroup B	0-255	Backgroup in Blue color
22	Backgroup W	0-255	Backgroup in White color
23	LED ring strobe	0-3	No function, Light on
		4-250	LED ring strobe from slow to fast
		251-255	No function, Light on
24	LED ring macro	0-1	No function
		2-51	Every 2 DMX is one kind of static color
		52-54	1th Dynamic effect
		55-250	Every 4 DMX channel is a dynamic effect(2th-50th kinds)
		251-255	51th kind of dynamic effect
25	LED ring speed	0-255	LED ring macro effect from slow to fast
26	Reset	0-239	No function
		240-255	Reset with 5 seconds

36 Channels mode

CH	Function	DMX	Details
1	Red	0-255	Red dimmer
2	Red Fine	0-255	Red fine control
3	Green	0-255	Green dimmer
4	Green Fine	0-255	Green fine control
5	Blue	0-255	Blue dimmer
6	Blue Fine	0-255	Blue fine control
7	White	0-255	White dimmer
8	White Fine	0-255	White fine control
9	CTO	0-255	Color temperature linear control
10	Macro color	0-255	Marco color effect
11	strobe	0-3	No function, Light off
		4-103	Strobe with the same step from slow to fast
		104-107	No function, light up
		108-207	Pulse strobe from fast to slow
		208-212	No function, light up
		213-251	Random strobe from slow to fast
		252-255	No function, light up
12	Dimmer	0-255	0-100 linear dimmer from dark to bright
13	Dimmer Fine	0-255	Dimmer fine control
14	Pan	0-255	Pan movement control
15	Pan Fine	0-255	Pan fine control
16	Tilt	0-255	Tilt movement control
17	Tilt Fine	0-255	Pan fine control
18	Reversed	0-255	Reversed channel, no function temporary
19	Reset	0-239	No function
		240-255	Reset with 5 seconds
20	Zoom	0-255	ZOOM
21	LENS Rotation	0-127	0 to 60 degree
		128-189	Unlimited anticlockwise rotation from fast to slow
		190-191	Stop
		192-255	Unlimited clockwise rotation from slow to fast
22	Shape macro	0-7	No function
		8-14	Static effects
		15-87	Dynamic effects
		88-255	No function
23	Shape Speed (22th channel in dynamic effect)	0-127	Dynamic shape anti-clockwise rotate from fast to slow
		128-255	Dynamic shape clockwise rotate from slow to fast
24	Reversed	0-255	Reversed channel, no function temporary
25	Shape R	0-255	Shape in Red color
26	Shape G	0-255	Shape in Green color
27	Shape B	0-255	Shape in Blue color
28	Shape W	0-255	Shape in White color
29	Shape Dimmer	0-255	Shape dimmer 0-100%
30	Background Dimmer	0-255	Background dimmer 0-100%
31	Reversed	0-255	Reversed channel, no function temporary
32	Shape transition	0-255	Shape change position
33	Shape strobe	0-255	Foreground strobe control
34	Background strobe	0-255	Background strobe control
35	Background shape (needs to light up the LED via 1 st to 12 th channel)	0-8	No function
		9-15	Every 1 DMX value is one kind of background shape
		16-255	No function
36	Reversed	0-255	Reversed channel, no function temporary

43 Channels mode

CH	Function	DMX	Details
1	Red	0-255	Red dimmer
2	Red Fine	0-255	Red fine control
3	Green	0-255	Green dimmer
4	Green Fine	0-255	Green fine control
5	Blue	0-255	Blue dimmer
6	Blue Fine	0-255	Blue fine control
7	White	0-255	White dimmer
8	White Fine	0-255	White fine control
9	CTO	0-255	Color temperature linear control
10	Macro color	0-255	Marco color effect
11	strobe	0-3	No function, Light off
		4-103	Strobe with the same step from slow to fast
		104-107	No function, light up
		108-207	Pulse strobe from fast to slow
		208-212	No function, light up
		213-251	Random strobe from slow to fast
12	Dimmer	0-255	0-100 linear dimmer from dark to bright
13	Dimmer Fine	0-255	Dimmer fine control
14	Pan	0-255	Pan movement control
15	Pan Fine	0-255	Pan fine control
16	Tilt	0-255	Tilt movement control
17	Tilt Fine	0-255	Pan fine control
18	Reversed	0-255	Reversed channel, no function temporary
19	Reset	0-239	No function
		240-255	Reset with 5 seconds
20	Zoom	0-255	ZOOM
21	LENS Rotation	0-127	0 to 60 degree
		128-189	Unlimited anticlockwise rotation from fast to slow
		190-191	Stop
		192-255	Unlimited clockwise rotation from slow to fast
22	Shape macro	0-7	No function
		8-14	Static effects
		15-87	Dynamic effects
		88-255	No function
23	Shape Speed (22th channel in dynamic effect)	0-127	Dynamic shape anti-clockwise rotate from fast to slow
		128-255	Dynamic shape clockwise rotate from slow to fast
24	Reversed	0-255	Reversed channel, no function temporary
25	Shape R	0-255	Shape in Red color
26	Shape G	0-255	Shape in Green color
27	Shape B	0-255	Shape in Blue color
28	Shape W	0-255	Shape in White color
29	Shape Dimmer	0-255	Shape dimmer 0-100%
30	Background Dimmer	0-255	Background dimmer 0-100%
31	Reversed	0-255	Reversed channel, no function temporary
32	Shape transition	0-255	Shape change position
33	Shape strobe	0-255	Foreground strobe control
34	Background strobe	0-255	Background strobe control
35	Background shape (needs to light up the LED via 1 st to 12 th channel)	0-8	No function
		9-15	Every 1 DMX value is one kind of background shape
		16-255	No function
36	Reversed	0-255	Reversed channel, no function temporary
37	LED ring dimmer	0-255	LED ring 0-100% linear dimmer
38	LED ring strobe	0-3	No function, Light on
		4-250	LED ring strobe from slow to fast
		251-255	No function, Light on
39	LED ring Red	0-255	LED ring Red 0-100% linear dimmer
40	LED ring Green	0-255	LED ring Green 0-100% linear dimmer
41	LED ring Blue	0-255	LED ring Blue 0-100% linear dimmer
42	LED ring macro	0-1	No function
		2-51	Every 2 DMX is one kind of static color
		52-54	1th Dynamic effect
		55-250	Every 4 DMX channel is a dynamic effect(2th-50th
43	LED ring speed	251-255	51th kind of dynamic effect
		0-255	LED ring macro effect from slow to fast

Remark: For the Background effect, you need to light up the LED via 1st to 12th channel,

78Channels mode

CH	Function	DMX	Details
1	Red	0-255	Red dimmer
2	Red Fine	0-255	Red fine control
3	Green	0-255	Green dimmer
4	Green Fine	0-255	Green fine control
5	Blue	0-255	Blue dimmer
6	Blue Fine	0-255	Blue fine control
7	White	0-255	White dimmer
8	White Fine	0-255	White fine control
9	CTO	0-255	Color temperature linear control
10	Macro Color	0-255	Marco color
11	strobe	0-3	No function, Light off
		4-103	Strobe with the same step from slow to fast
		104-107	No function, light up
		108-207	Pulse strobe from slow to fast
		208-212	No function, light up
		213-251	Random strobe from slow to fast
		252-255	No function, light up
12	Dimmer	0-255	0-100 linear dimmer from dark to bright
13	Dimmer Fine	0-255	Dimmer fine control
14	Pan	0-255	Pan movement control
15	Pan Fine	0-255	Pan fine control
16	Tilt	0-255	Tilt movement control
17	Tilt Fine	0-255	Pan fine control
18	Function	0-255	Revered channel, no function at this moment
19	Reset	0-239	No function
		240-255	Reset with 5 seconds
20	Zoom	0-255	Zoom
21	LENS Rotation	0-127	0 to 60 degree
		128-189	Unlimited anticlockwise rotation from fast to slow
		190-191	Stop
		192-255	Unlimited clockwise rotation from slow to fast
22	Red dimmer 1	0-255	LED 1 red dimmer
23	Green dimmer 1	0-255	LED 1 green dimmer
24	Blue dimmer 1	0-255	LED 1 blue dimmer
25	Red dimmer 2	0-255	LED 2 red dimmer
26	Green dimmer 2	0-255	LED 2 green dimmer
27	Blue dimmer 2	0-255	LED 2 blue dimmer
.....
...
76	Red dimmer 19	0-255	LED 19 red dimmer
77	Green dimmer 19	0-255	LED 19 green dimmer
78	Blue dimmer 19	0-255	LED 19 blue dimmer

119 Channels mode

CH	Function	DMX	Details
1	Red	0-255	Red dimmer
2	Red Fine	0-255	Red fine control
3	Green	0-255	Green dimmer
4	Green Fine	0-255	Green fine control
5	Blue	0-255	Blue dimmer
6	Blue Fine	0-255	Blue fine control
7	White	0-255	White dimmer
8	White Fine	0-255	White fine control
9	CTO	0-255	Color temperature linear control
10	Macro color	0-255	Marco color effect
11	strobe	0-3	No function, Light off
		4-103	Strobe with the same step from slow to fast
		104-107	No function, light up
		108-207	Pulse strobe from fast to slow
		208-212	No function, light up
		213-251	Random strobe from slow to fast
		252-255	No function, light up
12	Dimmer	0-255	0-100 linear dimmer from dark to bright
13	Dimmer Fine	0-255	Dimmer fine control
14	Pan	0-255	Pan movement control
15	Pan Fine	0-255	Pan fine control
16	Tilt	0-255	Tilt movement control
17	Tilt Fine	0-255	Pan fine control
18	Reversed	0-255	Reversed channel, no function temporary
19	Reset	0-239	No function
		240-255	Reset with 5 seconds
20	Zoom	0-255	ZOOM
21	LENS Rotation	0-127	0 to 60 degree
		128-189	Unlimited anticlockwise rotation from fast to slow
		190-191	Stop
		192-255	Unlimited clockwise rotation from slow to fast
22	Shape macro	0-7	No function
		8-14	Static effects
		15-87	Dynamic effects
		88-255	No function
23	Shape Speed (22th channel in dynamic)	0-127	Dynamic shape anti-clockwise rotate from fast to
		128-255	Dynamic shape clockwise rotate from slow to fast
24	Reversed	0-255	Reversed channel, no function temporary
25	Shape R	0-255	Shape in Red color
26	Shape G	0-255	Shape in Green color
27	Shape B	0-255	Shape in Blue color
28	Shape W	0-255	Shape in White color
29	Shape Dimmer	0-255	Shape dimmer 0-100%
30	Background Dimmer	0-255	Background dimmer 0-100%
31	Reversed	0-255	Reversed channel, no function temporary
32	Shape transition	0-255	Shape change position
33	Shape strobe	0-255	Foreground strobe control
34	Background strobe	0-255	Background strobe control

Remark: For the Background effect, you need to light up the LED via 1st to 12th channel,

To be continued on next page

119 Channels mode

CH	Function	DMX	Details
35	Background shape (needs to light up the LED via 1 st to 12 th channel)	0-8	No function
		9-15	Every 1 DMX value is one kind of background shape
		16-255	No function
36	Reversed	0-255	Reversed channel, no function temporary
37	LED ring dimmer	0-255	LED ring 0-100% linear dimmer
38	LED ring strobe	0-4	No function, Light on
		5-250	LED ring strobe from slow to fast
		251-255	No function, Light on
39	LED ring Red	0-255	LED ring Red 0-100% linear dimmer
40	LED ring Green		LED ring Green 0-100% linear dimmer
41	LED ring Blue		LED ring Blue 0-100% linear dimmer
42	LED ring macro	0-1	No function
		2-51	Every 2 DMX is one kind of static color
		52-54	1th Dynamic effect
		55-250	Every 4 DMX channel is a dynamic effect(2th-50th
		251-255	51th kind of dynamic effect
43	LED ring speed	0-255	LED ring macro effect from slow to fast
		0-1	No function
44	LED 1 Red	0-255	LED 1 Red 0-100% linear dimmer
45	LED 1 Green	0-255	LED 1 Green 0-100% linear dimmer
46	LED 1 Blue	0-255	LED 1 Blue 0-100% linear dimmer
47	LED 1 White	0-255	LED 1 White 0-100% linear dimmer
48	LED 2 Red	0-255	LED 2 Red 0-100% linear dimmer
49	LED 2 Green	0-255	LED 2 Green 0-100% linear dimmer
50	LED 2 Blue	0-255	LED 2 Blue 0-100% linear dimmer
51	LED 2 White	0-255	LED 2 White 0-100% linear dimmer
...
...
...
...
112	LED 18 Red	0-255	LED 18 Red 0-100% linear dimmer
113	LED 18 Green	0-255	LED 18 Green 0-100% linear dimmer
114	LED 18 Blue	0-255	LED 18 Blue 0-100% linear dimmer
115	LED 18 White	0-255	LED 18 White 0-100% linear dimmer
116	LED 19 Red	0-255	LED 19 Red 0-100% linear dimmer
117	LED 19 Green	0-255	LED 19 Green 0-100% linear dimmer
118	LED 19 Blue	0-255	LED 19 Blue 0-100% linear dimmer
119	LED 19 White	0-255	LED 19 White 0-100% linear dimmer

8. Display instruction

Menu	Sub-Menu	Secondary submenu	Function	
Address	001-512		DMX address	
Run mode	DMX	22CH	22 channel mode	
		26CH	26 channel mode	
		36CH	36 channel mode	
		43CH	43 channel mode	
		78CH	78 channel mode	
		119CH	119 channel mode	
	Auto Test		System detection	
	Manual Test		Manual test	
	Auto		Auto run	
	Channel Test		Manual control each channel	
Setting	Pan Reverse	YES/NO	Pan reverse	
	Tilt Reverse	YES/NO	Tilt reverse	
	Screen Reverse	YES/NO	Screen reverse	
	Screen Lock	YES/NO	Screen Lock	
	No Signal Hold	YES/NO	No DMX mode	
	Pan Angle	540/360/180	Pan angle	
	Tilt Angle	250/180/90	Tilt angle	
	Arefaction Time	0-255	Arefaction Time	
	Language	EN/CH	Language	
	Dimmer Speed		Smooth	Smooth dimmer mode
			Fast	Fast dimmer mode
	Dimmer Curve		Linear	Linear dimmer
			SCurve	S curve dimmer
			Square	Square dimmer
			I Square	I Square dimmer
	Reset Functions		Pan/Tilt	Pan/Tilt reset
Zoom			Zoom reset	
All			All reset	
Factory Reset		YES/NO	Factory mode	
Sys Info	Ver: V1.2			
	Running Mode: DMX			
	Dmx Address: 001			
	Temperature: xx			
	Fixture Hours			

10. Key Features

Voltage: AC100V ~ 240V 50-60HZ

Rated Power: 850W

LED Source: 19x40W high power RGBW 4 in 1 LEDs

Zoom: 7°-42°

Strobe: 0-25Hz

Control Mode: DMX512, Sound-actived, Master/slave

DMX Channels: 21/26/36/43/78/119 six channel mode

Dimmer: 0-100% linear dimmer with 4 kinds of dimmer curve.

Pan: 540°+16 bit fine

Tilt: 216°+16 bit fine

Display: LCD display with touch buttons.

IP: IP65

Fixture dimension: 434*260*577mm

N.W: 23.5 Kg

G.W: 26 Kg

Package dimension: 61*53*45 CM (1pc/ctn)

Special Points.

1. Each LED can be controlled individually. With unique honeycomb designed lens
2. The front lens can rotate without limitation in forward and reverse direction to create amazing effects
3. Can be used as beam, wash or effect light use (Kaleido effects)
4. With a extra LED ring for eye-candy effect, LED ring with macro effect
5. Pure aluminum casting waterproof housing, suitable for all kinds of environment.

11. Maintenance and Cleaning

The following points have to be considered during the inspection:

1. All screws for installing the devices or parts of the device have to be tightly connected and must not be corroded.
2. There must not be any deformations on the housing, color lenses, fixations and installation spots (ceiling, suspension, trussing).
3. Mechanically moved parts must not show any traces of wearing and must not rotate with unbalances.
4. The electric power supply cables must not show any damage, material fatigue or sediments.

Further instructions depending on the installation spot and usage have to be adhered by a skilled installer and any safety problems have to be removed.



CAUTION!

Disconnect from mains before starting maintenance operation.

In order to make the lights in good condition and extend the life time, we suggest a regular cleaning to the lights.

- 1) Clean the inside and outside lens each week to avoid the weakness of the lights due to accumulation of dust.
- 2) Clean the fan each week.
- 3) A detailed electric check by approved electrical engineer each three month, make sure that the circuit contacts are in good condition, prevent the poor contact of circuit from overheating.

We recommend a frequent cleaning of the device. Please use a moist, lint- free cloth. Never use alcohol or solvents. There are no serviceable parts inside the device. Please refer to the instructions under "Installation instructions". Should you need any spare parts, please order genuine parts from your local dealer